

Single Vertical Rack Installation

When installing the two-piece Vertical Rack to a ModWall Panel, be sure to space the Upper Shelf and Lower Shelf to fit your rifles' length and most appropriate orientation. Failure to install correctly may lead to firearm damage. Check instructions on back for a visual representation.

ModWall Panels
(sold separately)

SINGLE VERTICAL RACK INSTALL

Locate the panel entry holes and slide the part in to desired location. Controlling the tilt of your rifle can be achieved by sliding the two shelves in opposite directions of each other.

Both parts (Upper Shelf & Lower Shelf) have fasteners 2 inches apart to easily attach them unto a standard ModWall Panel.

Upper Shelf

DIRECT-TO-WALL INSTALLATION

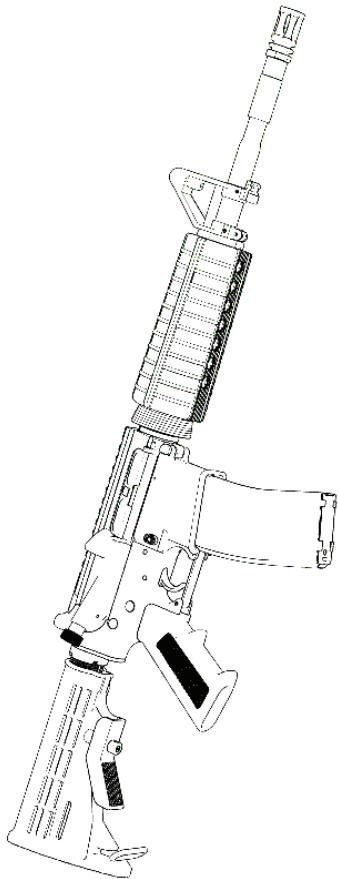
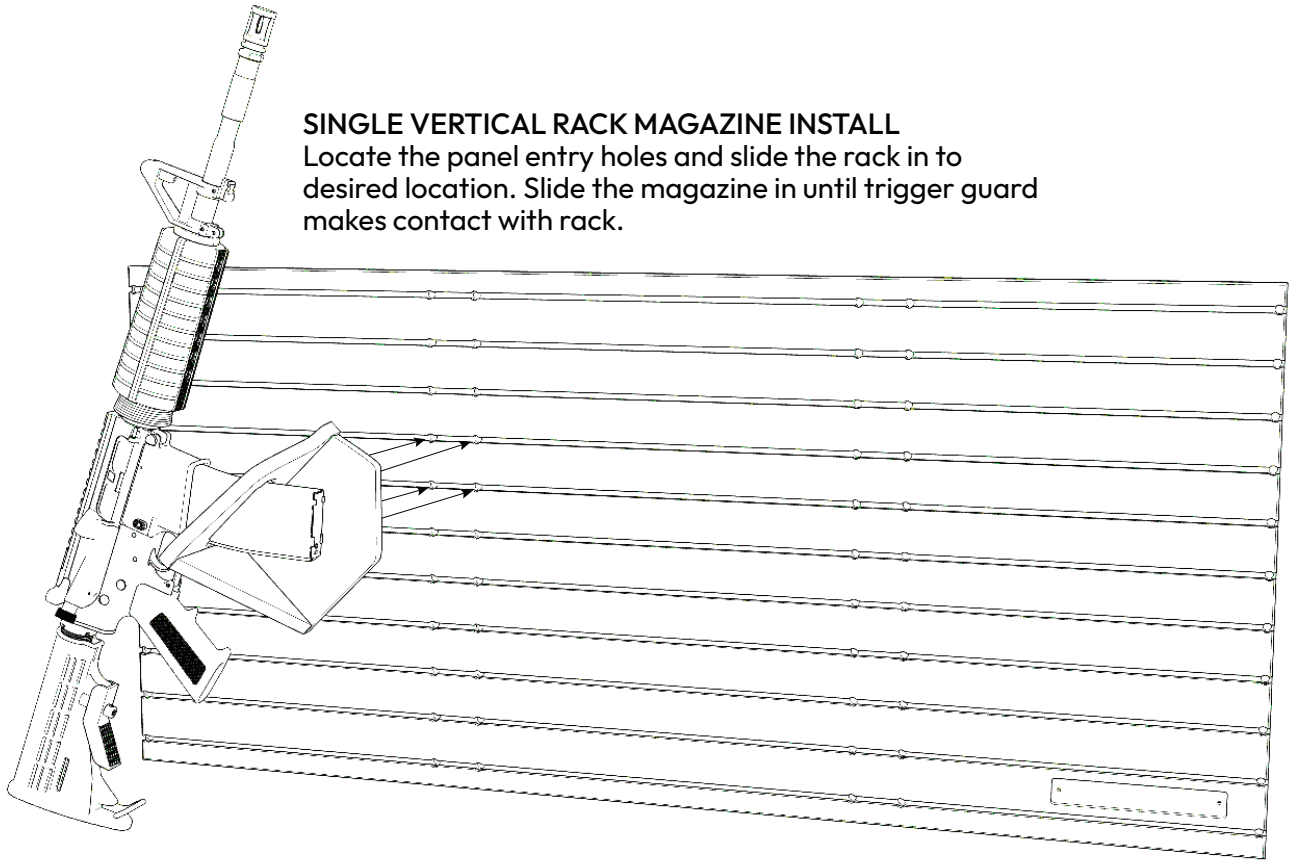
To attach your rack onto the wall directly, simply remove the buttonhead screws initially used to attach to a panel from the lower shelf. Drill thru one row of the four screw holes and use them to attach the lower shelf to wall studs with your choice of wall screws. Mount the upper shelf to a Nano Mount with one row of wall screws hitting a wall stud.

Lower Shelf

Rotate the Lower Shelf for a horizontal or diagonal orientation.

SINGLE VERTICAL RACK MAGAZINE INSTALL

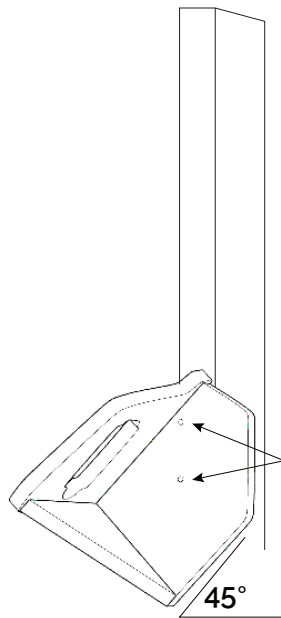
Locate the panel entry holes and slide the rack in to desired location. Slide the magazine in until trigger guard makes contact with rack.



Wall Stud

DIRECT-TO-WALL INSTALLATION

Locate a wall stud or solid location for your rack. Remove the four buttonhead screws on the back of rack and drill out the inner vertical holes all the way thru. Use those holes to screw in the rack into the wall. Align a level along the 45-degree side of the level and rack.



Share your setup with us and the world!



support@tacticalwalls.com

TACTICALWALLS.COM