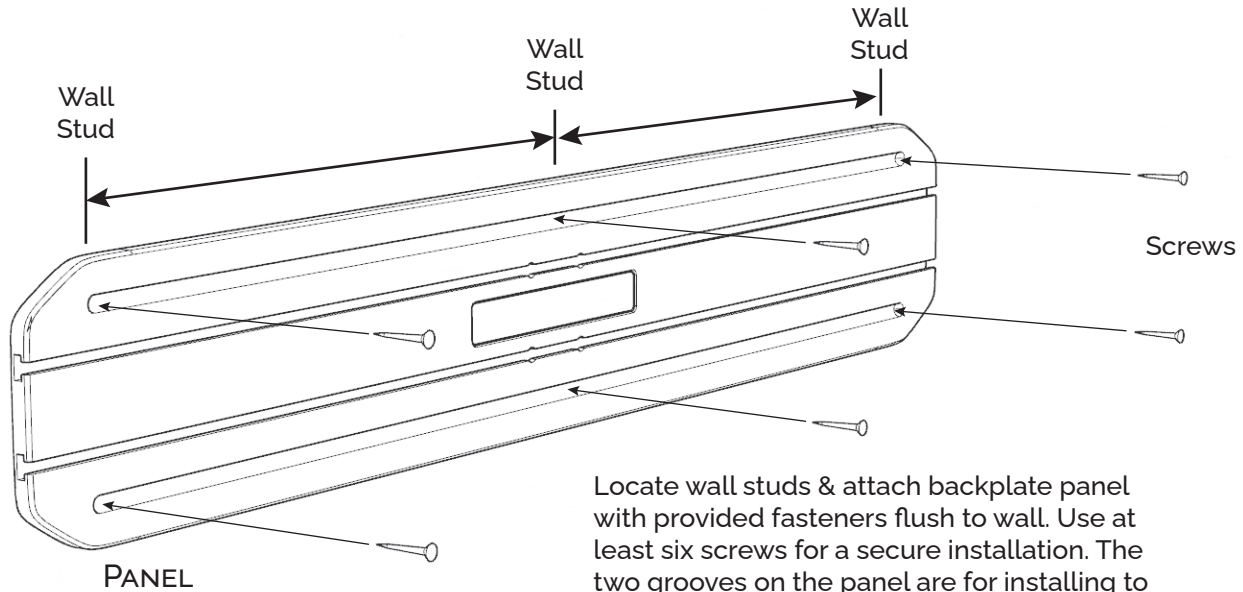
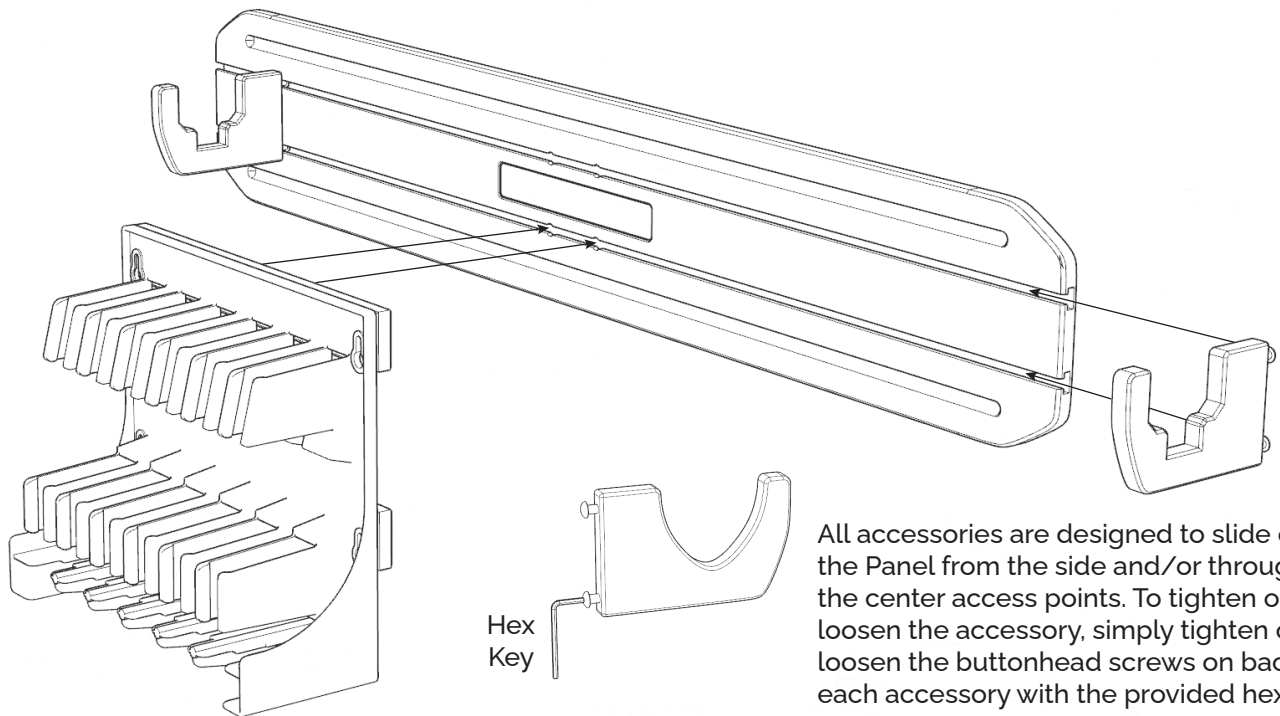




MIDMOD INSTALLATION GUIDE



Locate wall studs & attach backplate panel with provided fasteners flush to wall. Use at least six screws for a secure installation. The two grooves on the panel are for installing to any wall stud distance.



All accessories are designed to slide onto the Panel from the side and/or through the center access points. To tighten or loosen the accessory, simply tighten or loosen the buttonhead screws on back of each accessory with the provided hex key.

Share your setup with us and the world!



support@tacticalwalls.com

TACTICALWALLS.COM