



## CONCEALMENT INSERTS INSTALLATION

**Read Carefully Before Installation**

The Tactical Walls Concealment Inserts are designed for a standard 2x4 construction framed 16" on center studs. It is crucial that the insert is fastened to studs to avoid it pulling off the wall. A professional is recommended but not required for a safe and accurate installation.

### IS YOUR WALL CLEAR FOR INSTALLATION?

Before installing your concealment inserts on your wall, make sure you know what is behind the wall, that is plumbing, electrics, ducts etc. **AN IMPROPERLY INSTALLED INSERT MAY CAUSE BODILY HARM, DAMAGE TO USER EQUIPMENT, AND CREATE A HOUSE HAZARD.**

### GOT TOOLS?

Studfinder, tape measure, drill/driver, inspection mirror and flashlight/worklight.

### WE RECOMMEND!

A second pair of hands and eyeballs will significantly ease this installation process, heavy safe inserts.

**FINALLY, READ AND STUDY ALL INSTRUCTION STEPS BEFORE CUTTING OR FASTENING!**

---

Have questions? Contact us via provided support email below or visit our website for installation video tutorials. Of course, don't forget to like and follow Tactical Walls and share your setup with us and the world!

Share your setup with us and the world!



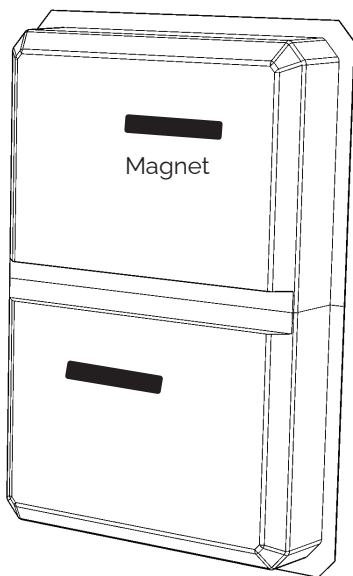
support@tacticalwalls.com

TACTICALWALLS.COM

# INSTALLATION PROCESS FOR CONCEALMENT INSERTS

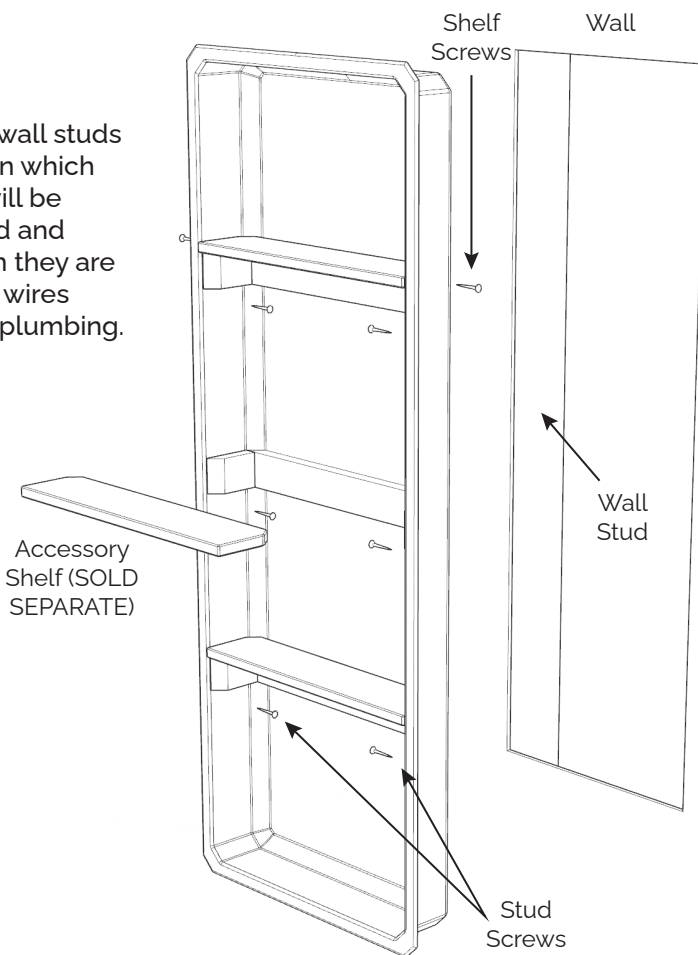
1

Before installing insert into wall, attach any magnet(s), shelves or accessories onto the back of insert.



2

Locate wall studs between which insert will be installed and confirm they are clear of wires and/or plumbing.



## INSERT CUTOUT GUIDE

1410: 14.375" x 10.5"

1420: 14.375" x 21.5"

1440: 14.375" x 40.5"

3

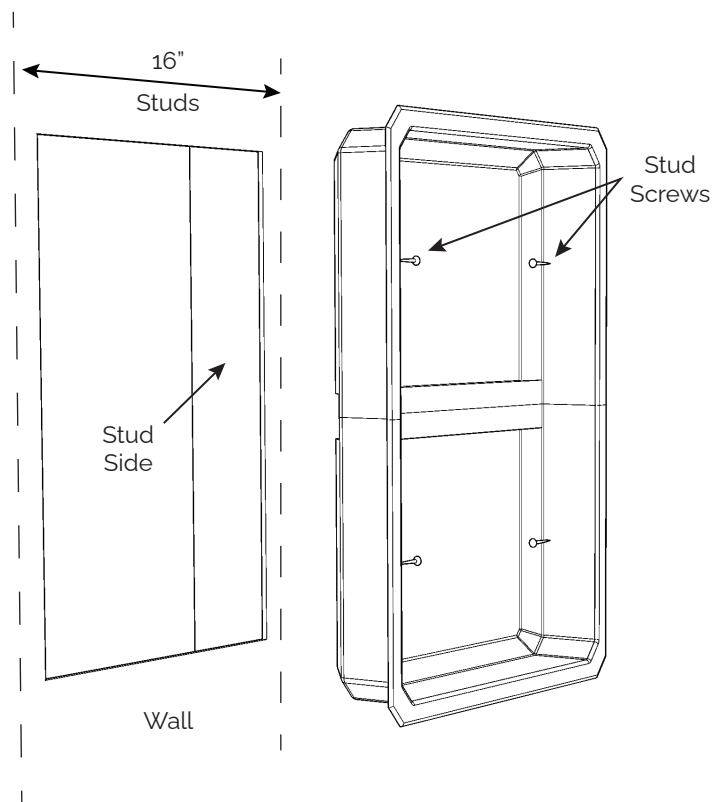
Measure, mark, and cut out appropriate-sized rectangle between determined studs.

4

Again, make sure stud sides and area is clear for the insert to fit flush to the wall.

5

Align insert level into the wall cutout and fasten insert with provided hardware into the side of wall studs.



# MAGNET SAFETY

## Read Carefully Before Use/Installation

Prior to final hard-mount installation of your Tactical Wall component(s), you need to determine the desired layout of your components so that you will be able to best locate where to mount your magnets.

**BE AWARE:** Placement of accessories too close to one another will result in the magnets being attracted to each other instead of the accessories. To avoid this, space out accessories appropriately.

The larger magnets come pre-supplied with double sided foam adhesive tape. (The smaller magnets have screws and will usually be installed in the FRONT side of the insert AFTER the insert is installed into the wall). From the REAR side of the insert (the side you WILL NOT see once installed) locate the area you have determined you want to attach your accessories to. Peel the adhesive supplied on the magnet and install it to the rear of the insert. Again please consider the distance between two magnets being placed as you do not want them being attracted to one another but to your accessories on the front side of the plastic instead. As an additional precaution, you can use a quality duct tape or packaging tape to hold the magnet in place from the rear to avoid magnets in close proximity to attract one another. As accessories are hanging this is not an issue. However, prolonged absence of an accessory will allow the magnets to be CONSTANTLY attracted to one another. The duct tape/packageing tape will help fight this attraction; without an accessory acting as a primary magnetic target, the magnets may overpower the tape over time.

## DISCLAIMER

Tactical Walls, LLC neither assumes nor accepts any liability for damages resulting from the handling or use of magnets. With your purchase, the buyer confirms that you have read and understood the following warnings, the buyer agrees that he/she is responsible for all damages and injuries caused by the magnets, which include personal injuries, property damages and magnet damages. Please test the pull force before any usage.

**NEODYMIUM MAGNETS WE SELL ARE VERY STRONG. HANDLING THEM WITH CARE IS NECESSARY TO PREVENT PERSONAL INJURIES, PROPERTY DAMAGES AND MAGNET DAMAGES:**

1. Neodymium magnets are brittle; they can be broken or can splinter in a collision. One should wear gloves and protective glasses when handling these magnets, because splinters and/or spacers could disengage and fly from the magnets.
2. Normal Neodymium magnets will lose their magnetic properties if heated above 175°F (80°C).
3. The strong magnetic fields of neodymium magnets can damage items such as television, computer monitors, credit cards, bank cards, computers, diskettes and other data carriers, video tapes, mechanical watches, hearing aids, loud speakers and VCRs. Pace-makers may be damaged or switch to "Test Mode" in the presence of a strong magnetic force, if a pace-maker or other bodily implant is in use, keep a minimum of 3 feet distance.
4. Children should not be allowed to handle Neodymium magnets as they can be dangerous. Small magnets pose a choking hazard and should never be swallowed or inserted into any part of the body.
5. Under no circumstances should you try to cut, saw or drill the Neodymium magnets! Not only would the magnet break, but the resulting dust from the magnet is very flammable. Neodymium magnets should never be burned, as burning them will create toxic fumes.

# RETURN POLICY

At Tactical Walls our goal is to ensure your complete satisfaction with your purchase. If you are not completely satisfied with your purchase, you may return it within 7 business days of receipt of merchandise. Refunds on returned items will be issued once we receive and inspect the product.

Shipping costs are not refundable. It may take up to 7 business days for the refund to appear on your statement. If you ordered our products from a third-party dealer, please contact that company's customer service department.

PLEASE READ ALL CONDITIONS BELOW. IF CONDITIONS ARE NOT MET, TACTICAL WALLS RESERVES THE RIGHT TO REFUSE THE RETURN OR TO CHARGE A RESTOCKING FEE.

## THE RETURN PROCESS

Obtain an RMA (Return Merchandise Authorization) number from our support department. If you are not yet in touch with us, contact us using our contact form or email us at [returns@tacticalwalls.com](mailto:returns@tacticalwalls.com) or call us at (540) 298-8906 with your order number.

Do not use any package other than the original as improper packing of mirrors could result in damage to the items being returned and a deduction from your refund amount. We recommend you ship via insured ground service with a tracking number. Return shipping charges are the responsibility of the customer. We are not responsible for lost or damaged packages.

WRITE YOUR RMA NUMBER CLEARLY ON THE OUTSIDE OF YOUR PACKAGE.

Send pre-authorized returns to:

TACTICAL WALLS RETURN DEPT.  
611 WILLIAMS AVE  
SHENANDOAH, VA 22849

## CONDITIONS

All returned items must be in new condition (never installed or modified), in their original box, and must include all packing material, instructions, invoice, and all accessories. Tactical Walls is not responsible for personal items left in returned merchandise. RMA numbers are valid for 10 days. Any items received outside of the RMA time line will only be refunded at half of their original purchase price. Tactical Walls is not responsible for any consequential or incidental damage resulting from the sale or use of any merchandise purchased from us. Shipping charges will not be refunded.

