



CONCEALMENT SHELF INSTALLATION

Read Carefully Before Installation

The Tactical Walls Concealment Shelf are designed primarily around a standard 2x4 construction framed 16" on center wall studs. If your studs are not 16" apart, your installation will need to be adjusted accordingly. It is crucial that the shelf is fastened to studs to avoid it pulling off the wall. A professional is recommended but not required for a safe and accurate installation.

SAFETY FIRST!

Before installing your concealment shelf on your wall, make sure the shelf unit is installed with proper hardware and/or support brackets to safely support your concealed items. **AN IMPROPERLY INSTALLED SHELF MAY CAUSE BODILY HARM AND/OR CAUSE DAMAGE TO USER EQUIPMENT.**

GOT TOOLS?

Studfinder, tape measure, level, pencil/marker, sharp blade, and drill/driver

WE RECOMMEND!

A second pair of hands and eyeballs will significantly ease this installation process, especially for larger shelves.

FINALLY, READ AND STUDY ALL INSTRUCTION STEPS BEFORE DRILLING & FASTENING!

Have questions? Contact us via provided support email below or visit our website for installation video tutorials. Of course, don't forget to like and follow Tactical Walls and share your setup with us and the world!

Share your setup with us and the world!



support@tacticalwalls.com

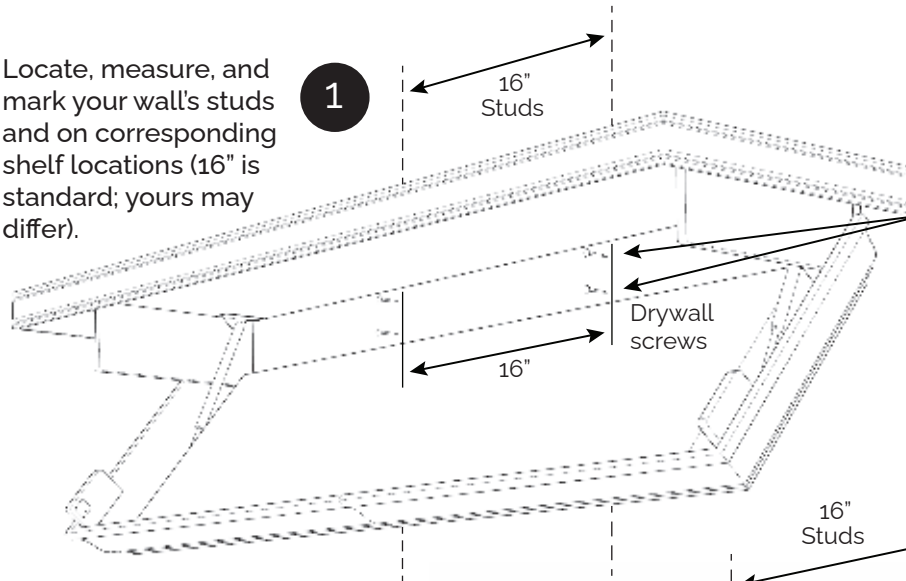
TACTICALWALLS.COM

INSTALLATION PROCESS FOR CONCEALMENT SHELVES

1 Locate, measure, and mark your wall's studs and on corresponding shelf locations (16" is standard; yours may differ).

1

16" Studs



2

2 Drill out 4 marked holes on the shelf with a 5/64-inch drill bit.

OPTIONAL

Additional support brackets are included for heavier 1242 Shelves only.

3

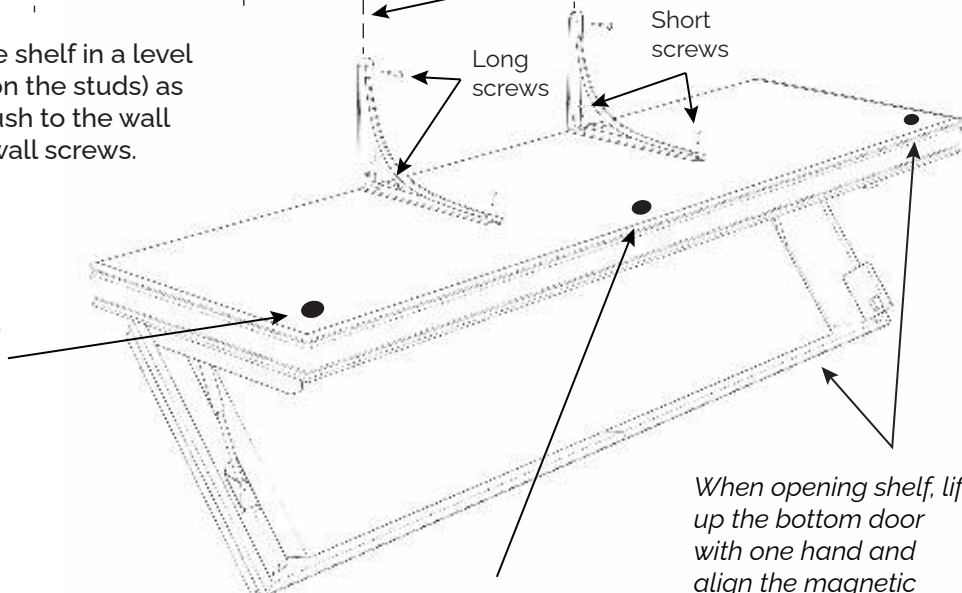
3 Get a friend to hold the shelf in a level and aligned position (on the studs) as you fasten the shelf flush to the wall with the provided drywall screws.

16" Studs

Short screws

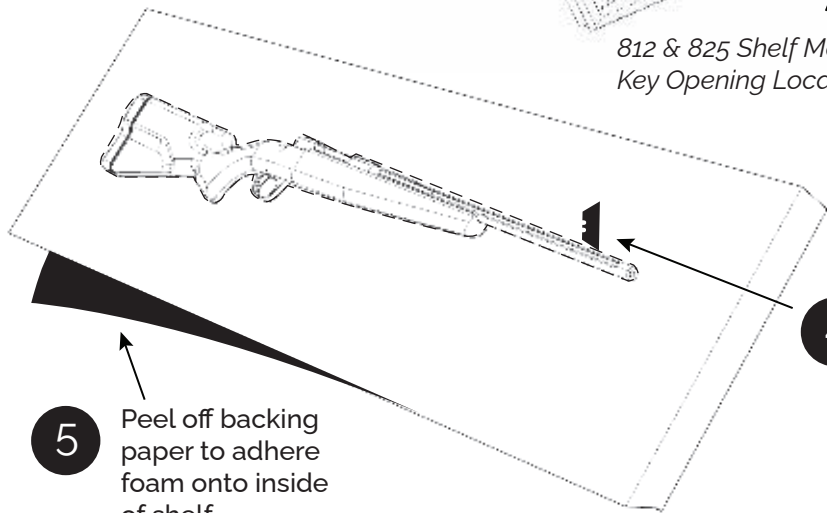
Long screws

1242 Shelf Magnetic Key Opening Locations on each end.



812 & 825 Shelf Magnetic Key Opening Location

When opening shelf, lift up the bottom door with one hand and align the magnetic key(s) with the other into designated areas until you hear it unlock.



5

5 Peel off backing paper to adhere foam onto inside of shelf.

4

4 When cutting foam to the shape of your item(s), lay the item(s) in desired location, trace item(s) with marker, and cut within traced perimeter to desired depth.

RETURN POLICY

At Tactical Walls our goal is to ensure your complete satisfaction with your purchase. If you are not completely satisfied with your purchase, you may return it within 7 business days of receipt of merchandise. Refunds on returned items will be issued once we receive and inspect the product.

Shipping costs are not refundable. It may take up to 7 business days for the refund to appear on your statement. If you ordered our products from a third-party dealer, please contact that company's customer service department.

PLEASE READ ALL CONDITIONS BELOW. IF CONDITIONS ARE NOT MET, TACTICAL WALLS RESERVES THE RIGHT TO REFUSE THE RETURN OR TO CHARGE A RESTOCKING FEE.

THE RETURN PROCESS

Obtain an RMA (Return Merchandise Authorization) number from our support department. If you are not yet in touch with us, contact us using our contact form or email us at returns@tacticalwalls.com or call us at (540) 298-8906 with your order number.

Do not use any package other than the original as improper packing of mirrors could result in damage to the items being returned and a deduction from your refund amount. We recommend you ship via insured ground service with a tracking number. Return shipping charges are the responsibility of the customer. We are not responsible for lost or damaged packages.

WRITE YOUR RMA NUMBER CLEARLY ON THE OUTSIDE OF YOUR PACKAGE.

Send pre-authorized returns to:

TACTICAL WALLS RETURN DEPT.
611 WILLIAMS AVE
SHENANDOAH, VA 22849

CONDITIONS

All returned items must be in new condition (never installed or modified), in their original box, and must include all packing material, instructions, invoice, and all accessories. Tactical Walls is not responsible for personal items left in returned merchandise. RMA numbers are valid for 10 days. Any items received outside of the RMA time line will only be refunded at half of their original purchase price. Tactical Walls is not responsible for any consequential or incidental damage resulting from the sale or use of any merchandise purchased from us. Shipping charges will not be refunded.

