



MODWALL INSTRUCTIONS

For a safe and effective installation, mount panels to walls with 16" on center studs.
FAILURE TO HIT STUDS COULD RESULT IN BODILY HARM AND/OR EQUIPMENT DAMAGE!

Have questions? Contact us via provided support email below or visit our website for installation video tutorials. Of course, don't forget to like and follow Tactical Walls and share your setup with us and the world!

Share your setup with us and the world!



support@tacticalwalls.com
TACTICALWALLS.COM

GOT TOOLS?

Studfinder, tape measure, level, drill/driver, and a second pair of hands.

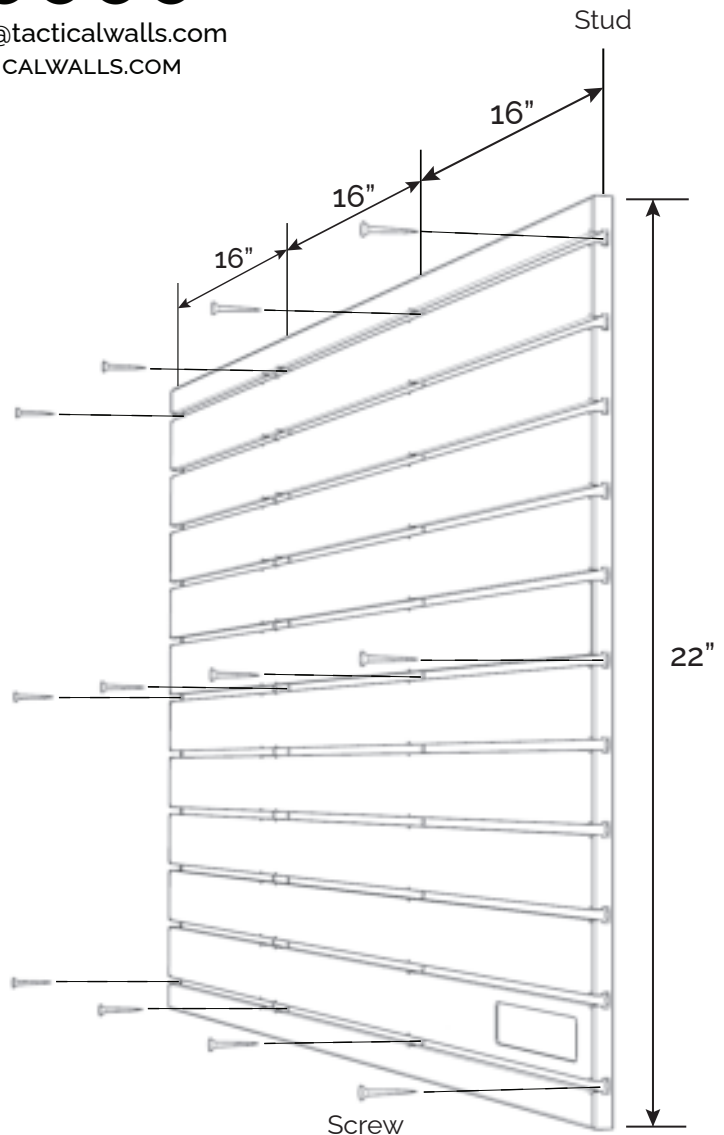
PANEL INSTALL

After locating desired location on wall, use a level and a second pair of hands to hold panel in place. Drive provided drywall screws through panel into wall studs.

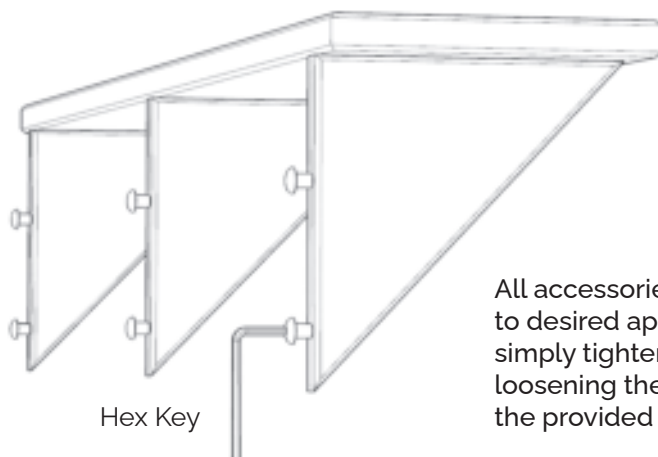
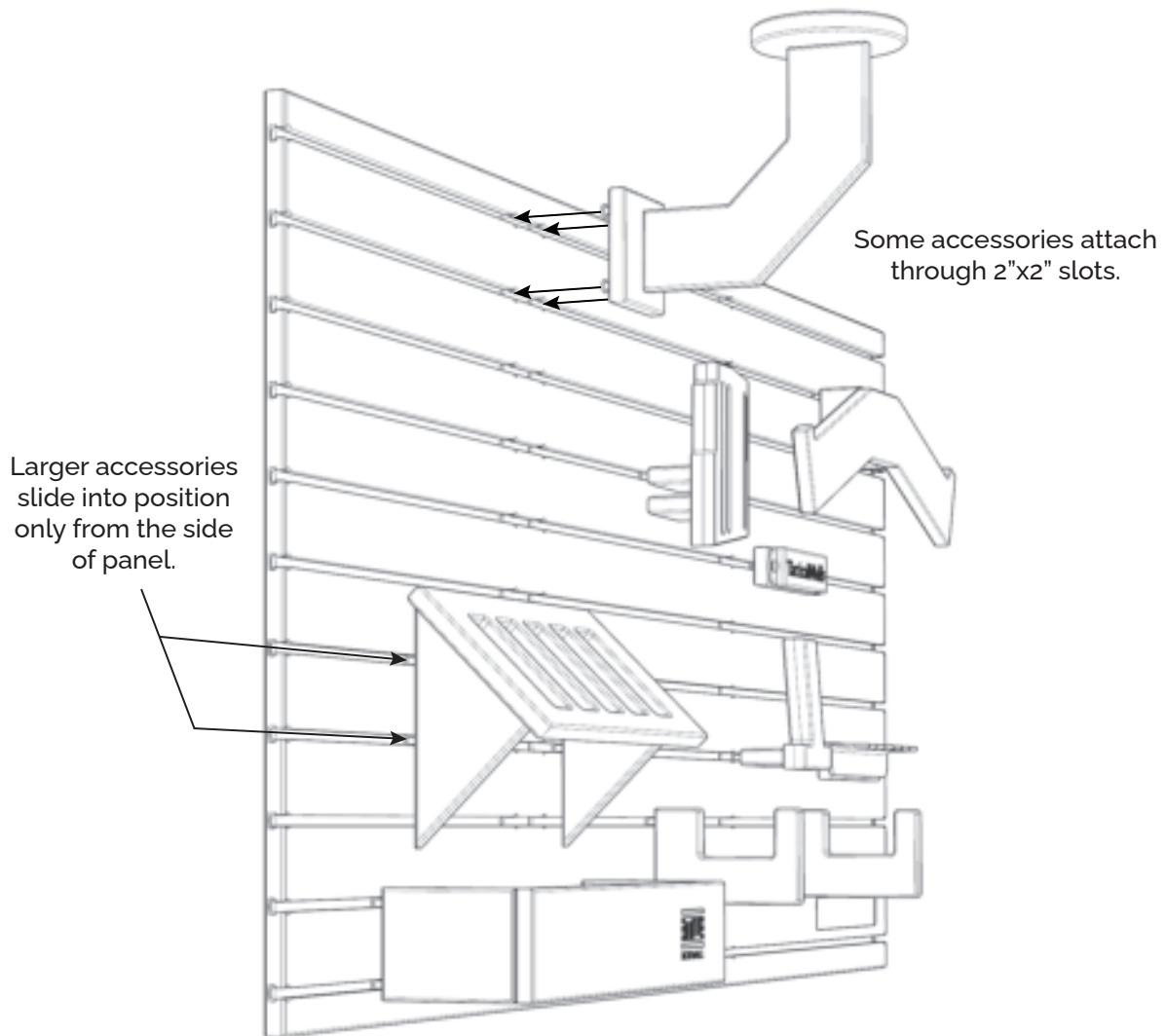
We recommend using at least 12 screws to keep panel from pulling away from wall.

CUSTOM FIT

All ModWall panels are made from HDPE plastic, making it simple to cut to size & shape with most bladed saws.



MODWALL ACCESSORY INSTALLATION



All accessories are adjustable to desired application by simply tightening or loosening the slot bolts with the provided hex key.