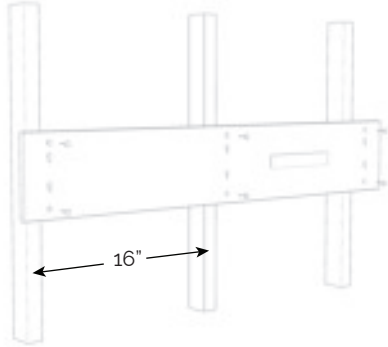
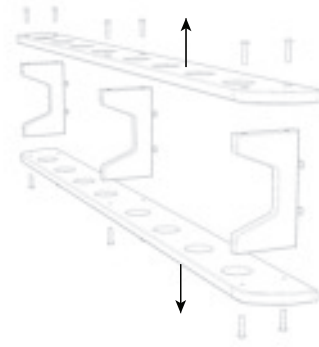


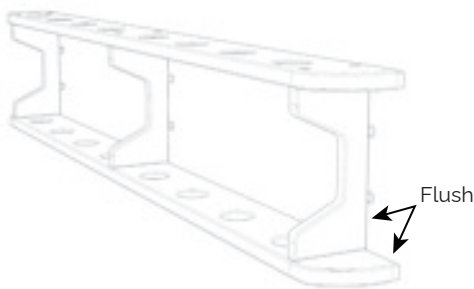
MWS RACK INSTALLATION



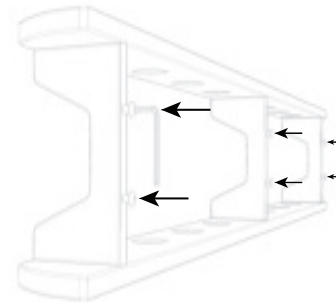
- 1** Locate your wall studs (16" apart), use provided screws to fasten back panel to wall (use level).



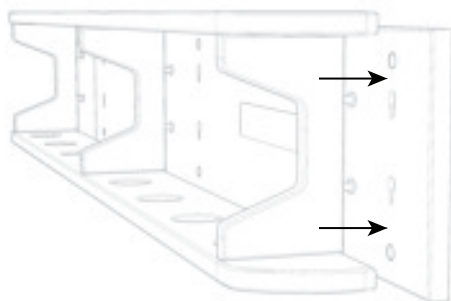
- 2** Line up the brackets with the three locations on the shelves so that top of shelves are facing away from each other.



- 3** Using the provided fasteners and 1/8" hex key, assemble shelves and brackets. Make sure their backs are flush to each other.



- 4** If needed, fine-tune the fasteners on the back of brackets to the backplate slot holes with the provided 1/8" hex key.



- 5** Align the bracket fasteners with the slot holes on backplate, press in and push down to lock it flush to backplate. If top of shelf is not flush to top of backplate, repeat step 4.



Share your setup with us and the world!



info@modwallsport.com

MODWALLSPORT.COM