



CONCEALMENT CLOCK INSTALLATION

Read Carefully Before Installation

The Tactical Walls Concealment Wall Clocks are designed to seamlessly hide firearms, utilities, and anything you can think of out of sight, out of mind. A professional is recommended but not required for a safe and accurate installation.

SAFETY FIRST!

Before installing your concealment clock on your wall, make sure the clock is installed with proper hardware to safely support your concealed items. **AN IMPROPERLY INSTALLED CLOCK MAY CAUSE BODILY HARM AND/OR CAUSE DAMAGE TO USER EQUIPMENT.**

GOT TOOLS?

Studfinder, tape measure, level, pencil/marker, and drill/driver

WE RECOMMEND!

A second pair of hands and eyeballs will significantly ease this installation process and yield the best possible outcome.

FINALLY, READ AND STUDY ALL INSTRUCTION STEPS BEFORE DRILLING & FASTENING!

Have questions? Contact us via provided support email below or visit our website for installation video tutorials. Of course, don't forget to like and follow Tactical Walls and share your setup with us and the world!

Share your setup with us and the world!

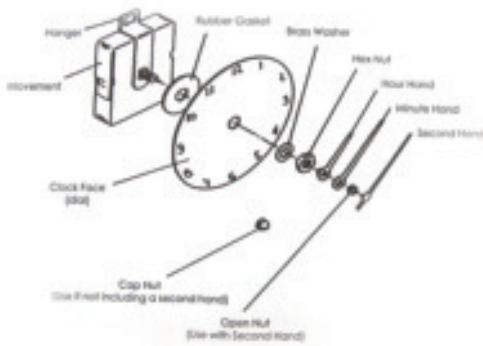


support@tacticalwalls.com

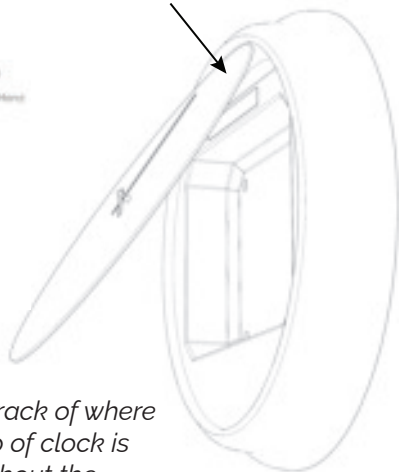
TACTICALWALLS.COM

INSTALLATION PROCESS FOR CONCEALMENT CLOCKS

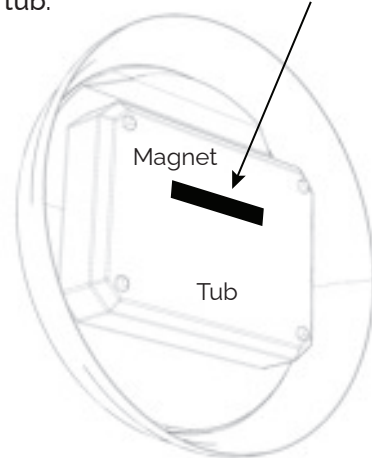
CLOCKWORKS ASSEMBLY



1 Locate clock face release area and press down to pull apart velcro from clock frame.

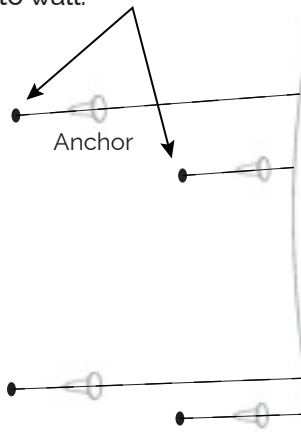


2 Position included rare-earth magnet in desired orientation with tape on the back of clock tub.



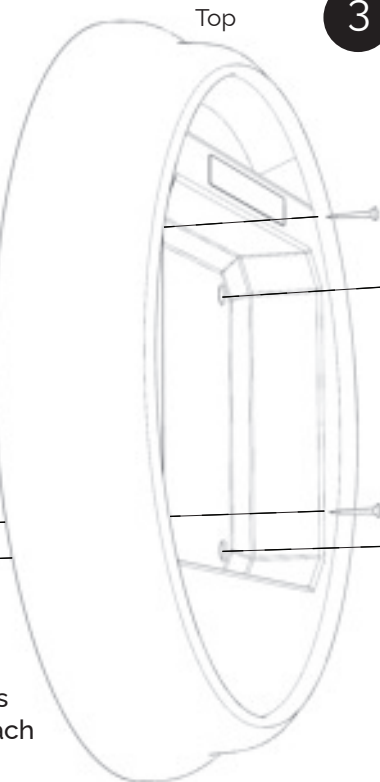
Keep track of where the top of clock is throughout the installation process.

5 After marking wall drilling locations, use 1/4-inch bit to predrill and screw in anchors flush to wall.



3 Using a level, orient the clock, with velcro on top, in preferred location on the wall.

We recommend mounting one pair of screws on a wall stud. Use provided drywall anchors ONLY on drywall; screw directly into stud otherwise.



4 Partially drive 4 provided drywall screws into the dimples of the clock tub. You may use the screws to mark drilling locations on the wall or you may use a marker or pencil to do so.

6 Drive the 4 drywall screws through the clock tub dimples into the wall anchors, and attach clock face.